

**6<sup>1/2</sup>" - PAPER CONE DRIVER - 170 mm****CLASSIC SERIES**

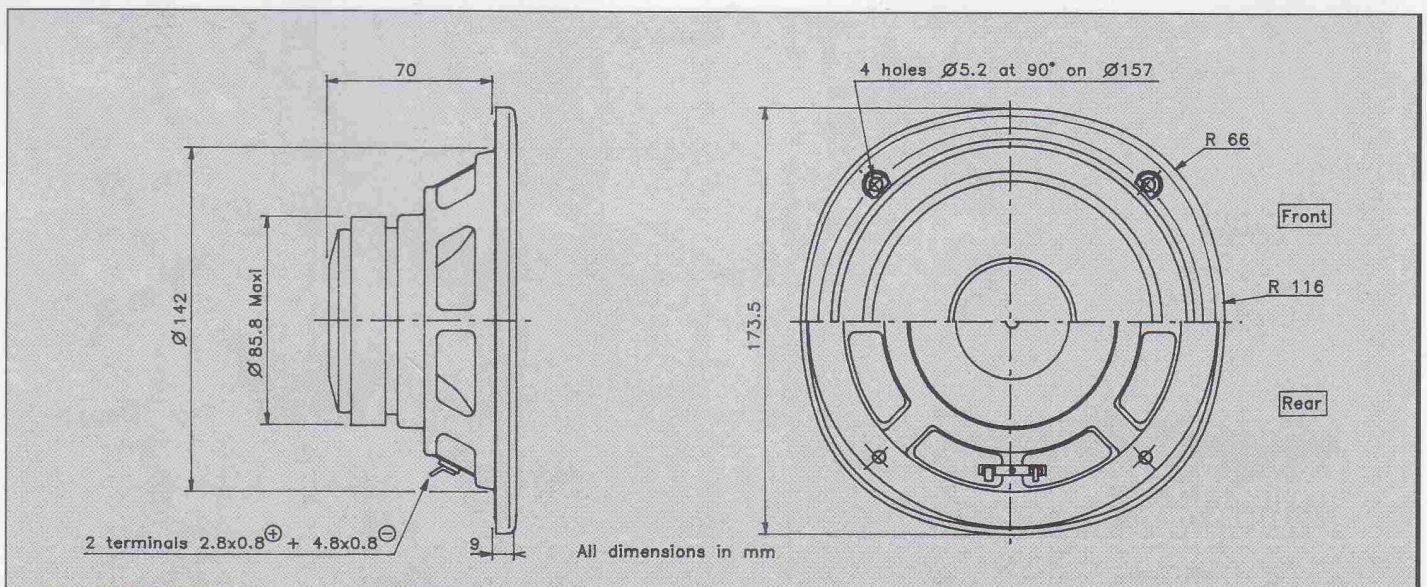
High loss-High compliance rubber surround  
 Critically damped paper cone  
 Stamped steel chassis  
 High temperature voice coil  
 Aluminium voice coil former  
 Extended bass response (Fs : 40 Hz)

Suspension caoutchouc amortissant h<sup>e</sup> compliance  
 Cone papier traité amortissant  
 Chassis acier embouti  
 Bobine haute température  
 Support bobine aluminium  
 Réponse étendue dans le grave (Fs : 40 Hz)



Designed for high-end compact 2 way systems, this 6<sup>1/2</sup>" bass-midrange driver features a state of the art curvilinear paper cone, which is critically damped and coupled to a high loss rubber surround. Special consideration has been taken to ensure a smooth response, natural roll-off. A newly designed cosmetic ring helps to reduce edge diffraction. The high temperature, 1" voice coil, wound onto aluminium former, ensures excellent power handling. The "Suggested applications" charts indicate various driver loads, included the box alignment used to measure the response curve (Vb REF). The response curves shown on the diagram indicate the predicted low end response of the driver in the suggested box volume (Vb) with suggested port (Dp-Lp).

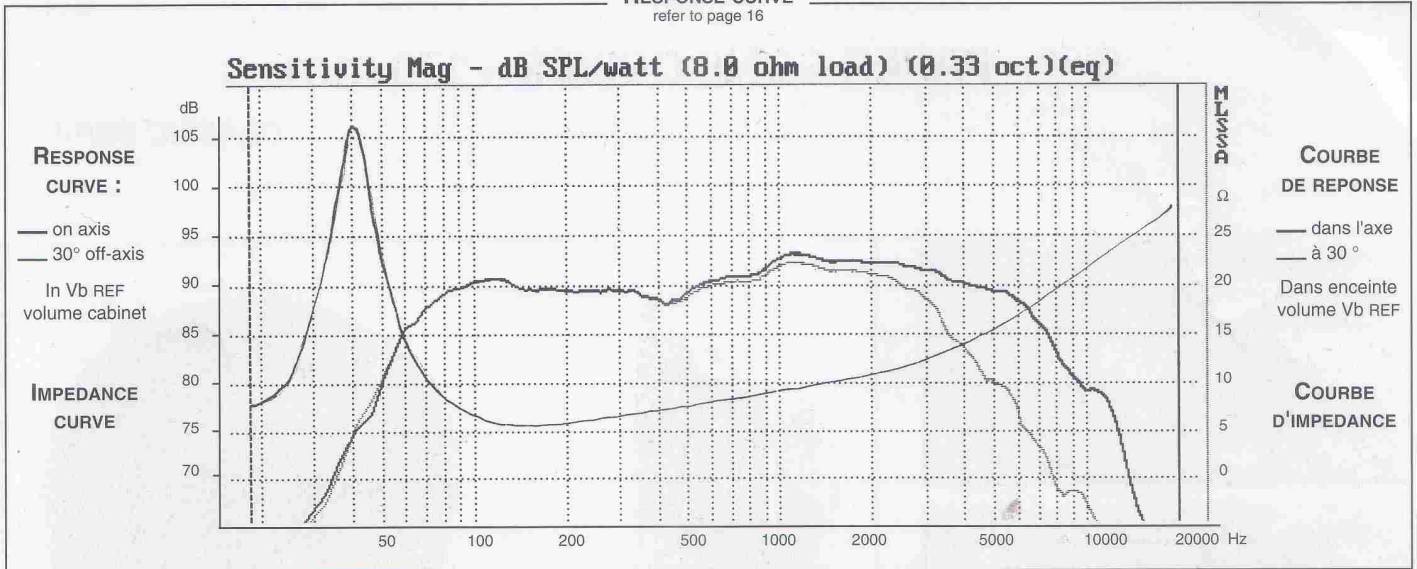
Ce grave-médium de 170 mm est destiné à des systèmes compacts haut de gamme 2 voies. Il est doté d'un cône en papier traité à profil curviligne associé à une suspension caoutchouc amortissant haute compliance. Un soin particulier a été apporté à cet ensemble afin d'assurer une réponse en fréquence linéaire ainsi qu'une coupure haute naturelle. Une nouvelle esthétique est également proposée par la présence d'une couronne décorative. La bobine haute température sur support aluminium autorise une puissance admissible importante. Le tableau "Suggested applications" indique différents types de charge dont celui utilisé pour la mesure de la courbe de réponse (Vb REF). Les courbes publiées correspondent à la réponse dans le grave pour un volume (Vb) et une dimension d'évent donnée (Vp-Lp).





### RESPONSE CURVE

refer to page 16



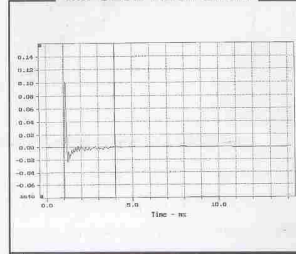
### SPECIFICATIONS

| Technical Characteristics       | Symbol | Value                 | Units              |
|---------------------------------|--------|-----------------------|--------------------|
| <b>PRIMARY APPLICATION</b>      |        |                       |                    |
| Nominal Impedance               | Z      | 8                     | Ω                  |
| Resonance Frequency             | Fs     | 40                    | Hz                 |
| Nominal Power Handling          | P      | 60                    | W                  |
| Sensitivity                     | E      | 90                    | dB                 |
| <b>VOICE COIL</b>               |        |                       |                    |
| Voice coil diameter             | ∅      | 30                    | mm                 |
| Minimum Impedance               | Zmin   | 5,4                   | Ω                  |
| DC Resistance                   | Re     | 5,2                   | Ω                  |
| Voice Coil Inductance           | Lbm    | 0,42                  | mH                 |
| Voice coil Length               | h      | 12                    | mm                 |
| Former                          | -      | Aluminium             | -                  |
| Number of layers                | n      | 2                     | -                  |
| <b>MAGNET</b>                   |        |                       |                    |
| Magnet dimensions               | ∅ x h  | 84x15                 | mm                 |
| Magnet weight                   | m      | 0,31                  | kg                 |
| Flux density                    | B      | 1                     | T                  |
| Force factor                    | BL     | 5,5                   | NA <sup>-1</sup>   |
| Height of magnetic gap          | He     | 5                     | mm                 |
| Stray flux                      | Fmag   | -                     | Am <sup>-1</sup>   |
| Linear excursion                | Xmax   | ±3,5                  | mm                 |
| <b>PARAMETERS</b>               |        |                       |                    |
| Suspension Compliance           | Cms    | 1,45.10 <sup>-3</sup> | mN <sup>-1</sup>   |
| Mechanical Q Factor             | Qms    | 3,24                  | -                  |
| Electrical Q Factor             | Qes    | 0,47                  | -                  |
| Total Q Factor                  | Qts    | 0,41                  | -                  |
| Mechanical Resistance           | Rms    | 0,84                  | kg s <sup>-1</sup> |
| Moving Mass                     | Mms    | 10,9.10 <sup>-3</sup> | kg                 |
| Effective Piston Area           | S      | 1,39.10 <sup>-2</sup> | m <sup>2</sup>     |
| Volume Equivalent of Air at Cas | Vas    | 39.10 <sup>-3</sup>   | m <sup>3</sup>     |
| Mass of speaker                 | M      | 1,05                  | kg                 |

### APPLICATION PARAMETERS

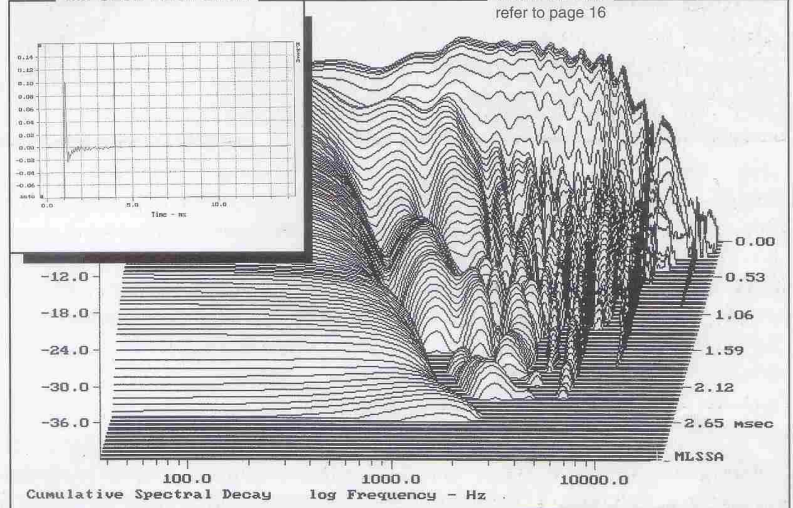
| Symbol | Description      | Unit            |
|--------|------------------|-----------------|
| Vb     | Box volume       | dm <sup>3</sup> |
| Fb     | Tuning frequency | Hz              |
| Dp     | Port diameter    | cm              |
| Lp     | Port length      | cm              |

### IMPULSE RESPONSE



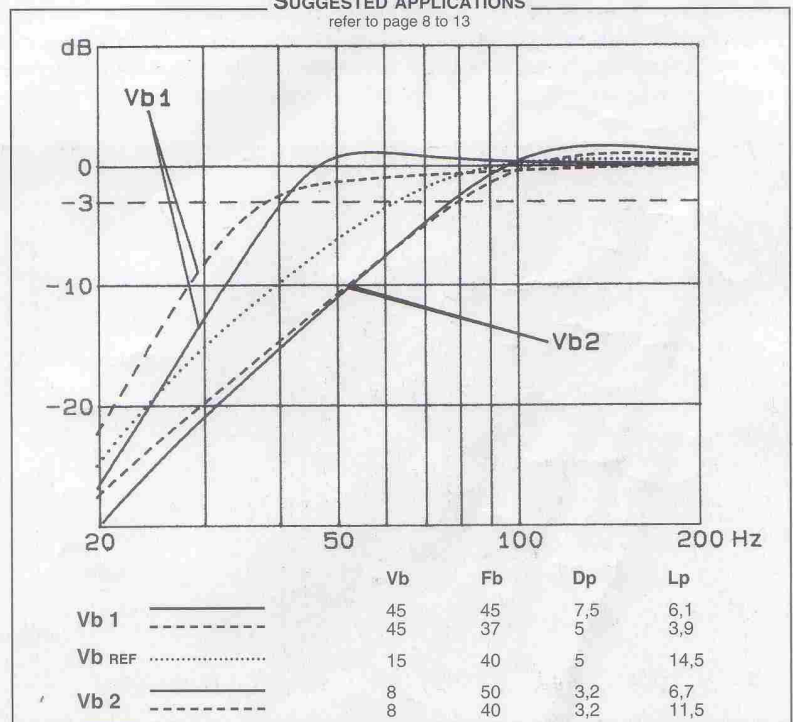
### WATERFALL

refer to page 16



### SUGGESTED APPLICATIONS

refer to page 8 to 13



Please refer to method of measurement and measurement conditions pages 15 to 19.  
 Audax may, without prior notification modify the specifications on its products further to research and development requirements.